

Pompe autoadescanti volumetriche ad ingranaggi monoblocco, adatte per il trasferimento di liquidi viscosi e privi di sostanze solide in sospensione come olio lubrificante, olio combustibile e gasolio. Per viscosità superiori ai 150-200 cP richiedere motore a 900 giri/min.

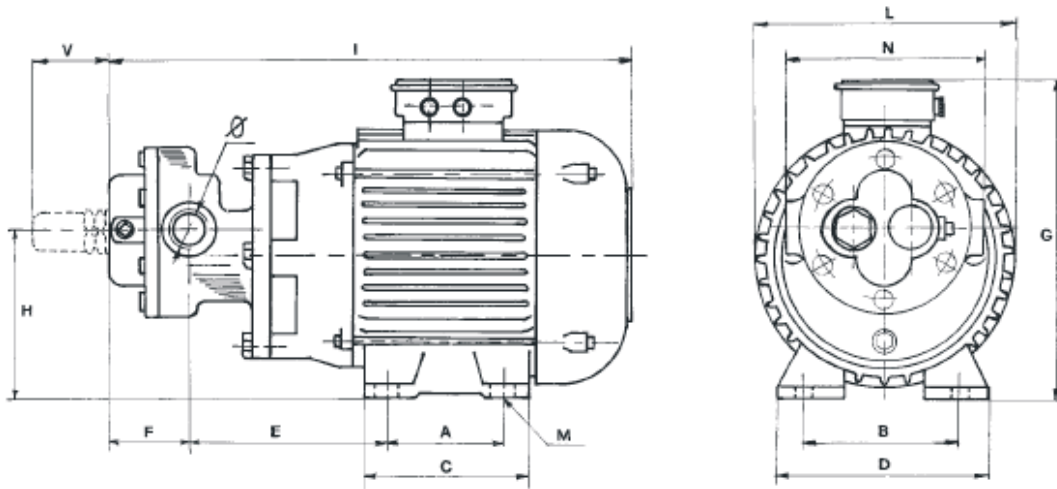
Selfpriming volumetric monobloc gear electric pumps suitable for transferring of viscous liquids but without any solid parts in suspension like lubricating oil, fuel oil and diesel oil. For viscosities higher than 150-200 cP please ask for 900RPM motor.



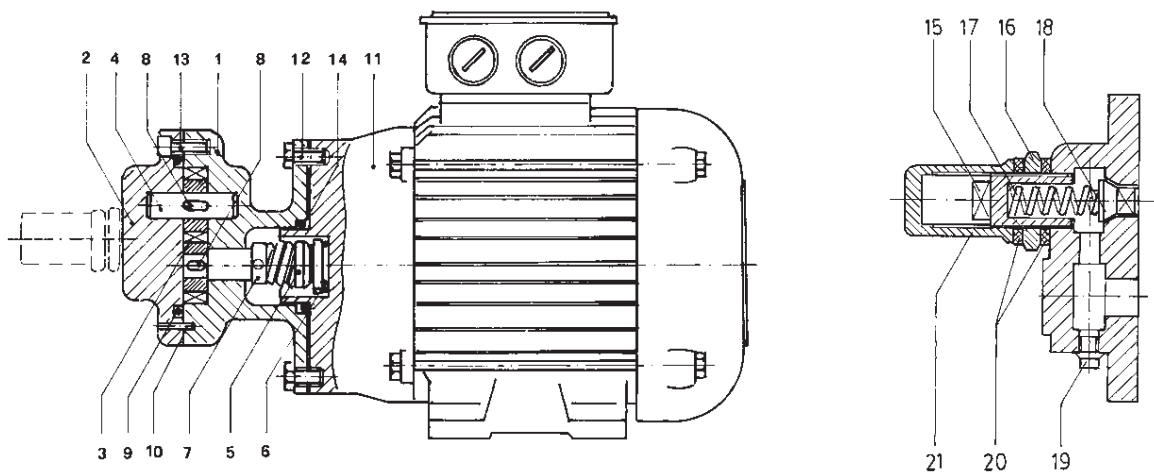
MOTORE A 1400 GIRI/MIN - R PM 1400 .								MOTORE A 900 GIRI/MIN. - R.P.M. 900			
PREVALENZA - HEAD											
5 BAR				10 BAR				10 BAR			
TIPO TYPE	PORTATA DELIVERY lt/h	POTENZA POWER		TIPO TYPE	PORTATA DELIVERY lt/h	POTENZA POWER		TIPO TYPE	PORTATA DELIVERY lt/h	POTENZA POWER	
		KW	HP			KW	HP			KW	HP
GEAR 5	320	0.26	0.35	GEAR 5	300	0.26	0.35	GEAR 5/6	200	0.18	0.25
GEAR 10	600	0.26	0.35	GEAR 10M	580	0.37	0.5	GEAR 10/6	400	0.26	0.35
GEAR 15	900	0.37	0.5	GEAR 15M	850	0.55	0.75	GEAR 15/6	600	0.37	0.5
GEAR 25	1500	0.55	0.75	GEAR 25M	1400	0.75	1	GEAR 25/6	1000	0.55	0.75
GEAR 35	2100	0.75	1	GEAR 35M	2000	1.1	1.5	GEAR35/6	1400	0.75	1
GEAR 50	3000	1.1	1.5	GEAR 50M	2900	1.5	2	GEAR 50/6	2000	1.1	1.5
GEAR 60	3600	1.5	2	GEAR 60M	3400	1.8	2.5	GEAR 60/6	2400	1.1	1.5

Prestazioni Teoriche con Olio 6° E
Tolleranza +2% -5%

Theoric Performances with oil 6° E
Tolerances +2% -5%



TIPO TYPE	POTENZA HP POWER HP		ø	A	B	C	D	E	F	G	H	I	L	M	N	V	Kg
	4 POLI A.C.	6 POLI A.C.															
GEAR 5	0.35	-	1/2"	80	100	100	120	90	53	164	78	296	121	7	110	48	7.7
GEAR 5/6	-	0.25		90	112	109	135			187	86	314	143				10.2
GEAR 10	0.35	-	3/4"	80	100	100	120	99	59	164	78	314	121	7	115	48	8.5
GEAR 10 GEAR 10/6	0.5 -	- 0.35		90	112	109	135			187	86	334	143				9
GEAR 15	0.5	-	3/4"	90	112	109	135	110	69	187	86	343	143	9	115	48	10.8
GEAR 15	0.75	-		100	125	125	154			210	95	365	162				11.2
GEAR 15/6	-	0.5		100	125	125	154			210	95	376	132				14.2
GEAR 25	0.75	-	3/4"	90	112	109	135	120	71	187	86	365	132	9	117	48	12.4
GEAR 25	1	-		100	125	125	154			210	95	376	132				14.4
GEAR 25/6	-	0.75		100	125	125	154			210	95	376	132				15.4
GEAR 35	1	-	1"	100	125	125	154	132	75	210	104	395	162	9	134	48	16.5
GEAR 35	1.5	-		125	140	150	170			230	112	441	182				17.5
GEAR 35/6	-	1		100	125	125	154			210	104	441	162				20.1
GEAR 50	1.5	-	1"	100	125	125	154	142	85	210	104	441	162	9	134	48	17.5
GEAR 50	2	-		125	140	150	170			230	112	452	182				21.5
GEAR 50/6	-	1.5		125	140	150	170			230	112	452	182				21.7
GEAR 60	2	-	1 1/4"	125	140	150	170	142	85	230	112	452	182	9	122	48	22
GEAR 60	2.5	-		125	140	150	170			230	112	452	182				23.5
GEAR 60/6	-	1.5		125	140	150	170			230	112	452	182				24



POS.	DESCRIZIONE	DESCRIPTION
1	Corpo pompa	Pump Body
2	Coperchio	Cover
3	Ingranaggi	Gears
4	Albero secondario	Driven shaft
5	Tenuta meccanica	Mechanical seal
6	Controfaccia tenuta	Seal matching surface
7	Ghiera	Ring nut
8	Chiavetta	Key
9	O-ring	O-ring
10	Spina	Plug
11	Motore elettrico	Electric motor
12	Viti TE	Screw
13	Viti TC	Socket head screw
14	O-ring	O-ring
15	Bussola	Bush
16	Controdado	Lock nut
17	Molla	Spring
18	Fungo	Plug
19	Tappo	Plug
20	Rondella	Grommet
21	Cappello By-pass	By-pass cover